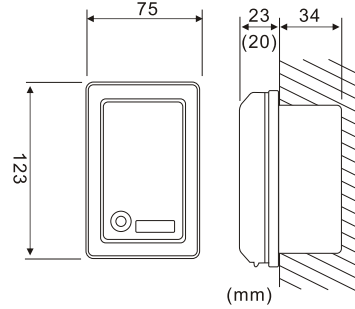


# KEY-SWITCH

## LK-310 (Resessed mounting)

- LED display
- Tamper switch provided
- Fit 19Ø key cylinders
- Contact rating: Key switch: AC125V / 3A  
Tamer switch: AC125V / 1A

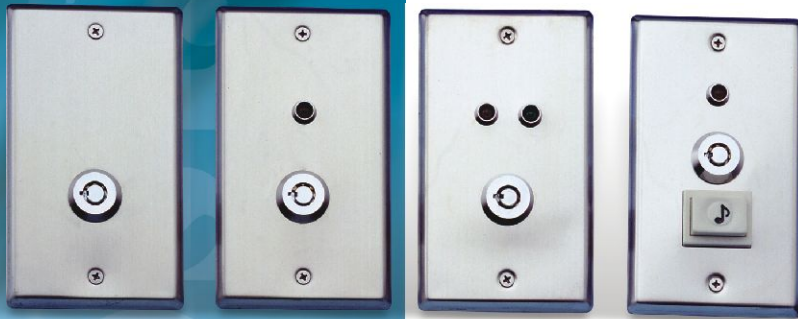


## LK-305A (Stainless steel plate, On/Off type)

## LK-305B (Stainless steel plate, Momentary type)

## LK-305C (Stainless steel plate, With doorbell push-Button)

- LED display
- Tamper switch provided
- Fit 19Ø key cylinders
- Contact rating: Key switch: AC125V / 3A  
Tamer switch: AC125V / 1A



## LK-305D



## LK-305E

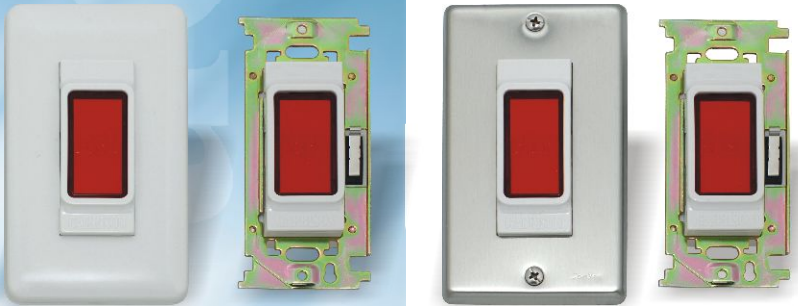


## LK-4500A (Resessed mounting)

## LK-4500AT (Stainless steel plate, Recessed mounting)

# PANIC-BUTTON

- Contact action: NO/NC
- Contact rating: AC 125V / 1A
- Tamper switch provided  
contact rating: AC 125V / 1A



## LK-4700A

(Rainproof recessed mounting)

- NO(1A/125VAC)



## LK-4600A

(Recessed mounting)

- NO/NC(1A/125VAC)
- One-touch(Push ON)  
Two-step(ON/OFF)

